

HOSE REELS: 1400 SERIES

40' Maximum hose capacity



Hose Reels



Roller arm in tank/wall mount position



Roller arm in ceiling mount position

1400 Series Double Pedestal Arm Hose Reel

Double-pedestal arm steel hose reel can hold up to 40' x 1/4" hose

Fatigue resistant steel spring

For years of durable performance and even load when pulling and recoiling the hose

Full metal double pedestal arm construction

Epoxy powder coated for increased wear resistance

Forged brass shaft

Ensures leak-free operation

Reducing Adaptor

Low pressure reels with 3/8" hose come with a 3/8" x 1/4" reducing adaptor for use with hose accessories

Hose reels with hose include 30" inlet hose and ball stop

Hose reels offers two mounting positions

May be mounted in ceiling and tank/wall positions

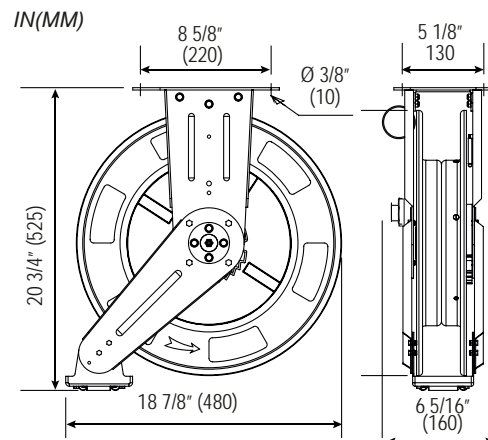
Hose reels are delivered in the ceiling mount position

MARKETS SERVED

- Car and truck dealers
- Service shops
- Fleets
- General manufacturing
- Service stations
- Quick lubs

FLUIDS HANDLED

- Air
- Water
- Antifreeze solutions
- Synthetic and mineral oils
- Grease



TECHNICAL SPECIFICATIONS

Operating Temperature Range	
Air / Water / Antifreeze	-22°F to 194°F (-30 °C to 90°C)
Oil	-22°F to 194°F (-30 °C to 90°C)
Grease	-22°F to 194°F (-30 °C to 90°C)
Wetted Parts	
Air / Water / Antifreeze	Brass, steel, Nitrile rubber
Oil	Brass, steel, Nitrile rubber
Grease	Steel, electroless nickel plated steel, nitrile rubber, polyurethane, PTFE
Weight <i>without hose</i>	33 lb (15 Kg)
Manual	850 804

Hose Reels

ORDER INFORMATION

Part No.	Hose Length	Hose I.D.	Outlet thread	Max. Working Pressure	Net weight	Reel only with swivel Part No.
LOW PRESSURE AIR/WATER antifreeze and windshield wash solutions - brass shaft and acetal swivel - inlet 1/2" NPT(F)						
1413	40'	3/8"	3/8" NPT(M)	300 psi	43 lb	1402
1417	40'	1/2"	1/2" NPT(M)	300 psi	46 lb	1402
MEDIUM PRESSURE OILS stainless steel shaft and swivel - inlet 1/2" NPT(F)						
1428	30'	1/2"	1/2" NPT(M)	2,000 psi	45 lb	1402
1426	40'	1/2"	1/2" NPT(M)	2,000 psi	48 lb	1402
HIGH PRESSURE GREASE steel shaft and swivel - inlet 3/8" NPT(F)						
1432	30'	1/4"	1/4" NPT(M)	5,000 psi	45 lb	1403
1435	40'	3/8"	3/8" NPT(M)	4,000 psi	48 lb	1403

MOUNTING BRACKET for use with 1400 series hose reels in a bank. Nuts, screws and washers included.



360 114	Holds up to two reels. Dimensions: 21 1/2" x 12"
360 115	Holds up to three reels. Dimensions: 32 1/2" x 12"
360 117	Holds up to five reels. Dimensions: 54 1/2" x 12"
1390	Channel mounting bracket. Channels may be mounted from I-beams with use of channel mounting brackets (up to 9" flange). Order two brackets for the two and three reel channel and three brackets for the five reel channel