

HOSE REELS: 506 SERIES

50' Maximum hose capacity



Hose Reels



Roller arm in tank/wall mount position



Roller arm in ceiling mount position

506 Series: Single Arm Aluminum Hose Reel

Aluminum base and arms with composite spool hose reel. Reel can handle up to 50' x 1/2" hose.

Aluminum base and guide arm

Provide the rigidity to withstand the most demanding applications while offering a reduced weight, almost half the weight of a double arm steel reel, allowing for easy installation

Fatigue resistant steel spring

Offers years of durable performance and even load when pulling and recoiling the hose

Fully ported shaft and swivel

For improved flow

Spool mounted on two permanently lubricated and sealed ball bearings

To reduce torque load on spring for smooth retraction and longer life

Large latching area for easier operation

Six roller guide outlet

Prevents hose pinching and reduces friction

Reducing Adaptor

Low pressure reels with 3/8" hose come with a 3/8" x 1/4" reducing adaptor for use with hose accessories.

Hose guide arm can be placed in different positions

To accommodate any method of reel mounting

Hose reels with hose include 30" inlet hose and ball stop

Hose reels offer four mounting positions

May be mounted in floor, wall, ceiling and tank positions

Hose reels are delivered in the ceiling mount position

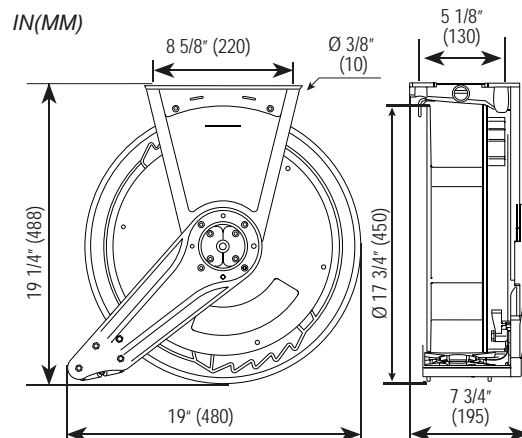
For reels delivered with arm in side mount position, add the suffix SM to the hose reel part number. i.e. 506 101SM

MARKETS SERVED

- Car and truck dealers
- Service shops
- Fleets
- General manufacturing
- Service stations
- Quick lubes

FLUIDS HANDLED

- Air
- Water
- Antifreeze and windshield wash solutions
- High pressure hot water
- Synthetic and mineral oils
- DEF
- Grease



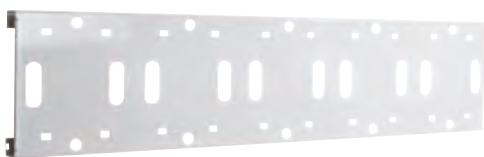
TECHNICAL SPECIFICATIONS

Operating Temperature Range	
Air / Water / Antifreeze	-20°F to 140° F (-20°C to 60°C)
Oil	-22°F to 194°F (-30 °C to 90°C)
Grease	-22°F to 194°F (-30 °C to 90°C)
DEF	-4°F to 140°F (-20°C to 60°C)
Wetted Parts	
Air / Water / Antifreeze	Brass, acetal, nitrile rubber
Oil	Steel, electro-less nickel plated steel, nitrile rubber
Grease	Steel, electro-less nickel plated steel, nitrile rubber, PTFE
DEF	Stainless steel, acetal, viton
Weight <i>without hose</i>	24 lb (11 Kg)
Manual	850 819

ORDER INFORMATION

Part No.	Hose Length	Hose I.D.	Outlet Thread	Max. Working Pressure	Net Weight	Reel Only With Swivel Part No.
LOW PRESSURE AIR/WATER antifreeze & windshield wash solutions - brass shaft and acetal swivel - inlet 1/2" NPT(F)						
506 101	30'	3/8"	3/8" NPT(M)	300 psi	26.7 lb	506 912
506 121	50'	3/8"	3/8" NPT(M)	300 psi	31.3 lb	506 922
506 122	50'	1/2"	1/2" NPT(M)	300 psi	32.8 lb	506 922
LOW PRESSURE DEF stainless steel shaft and acetal swivel - inlet 1/2" BSPP						
506 702	30'	1/2"	3/4" BSPP(M)	300 psi	28.7 lb	506 976
506 722	50'	1/2"	3/4" BSPP(M)	300 psi	34.1 lb	506 978
MEDIUM PRESSURE OILS stainless steel shaft and swivel - inlet 1/2" NPT(F)						
506 202	30'	1/2"	1/2" NPT(M)	2,000 psi	27.8 lb	506 920
506 222	50'	1/2"	1/2" NPT(M)	2,000 psi	32.8 lb	506 922
HIGH PRESSURE WATER (UP TO 200° F) stainless steel shaft and swivel - inlet 1/2" NPT(F)						
506 421	50'	3/8"	3/8" NPT(M)	2,400 psi	33.3 lb	506 942
HIGH PRESSURE GREASE steel shaft and swivel - inlet 3/8" NPT(F)						
506 321	50'	3/8"	1/4" NPT(M)	4,000 psi	35.3 lb	506 936

MOUNTING BRACKET for use with 506 series hose reels in a bank. Nuts, screws and washers included.



360 114	Holds up to two reels. Dimensions: 21 1/2" x 12"
360 115	Holds up to three reels. Dimensions: 32 1/2" x 12"
360 117	Holds up to five reels. Dimensions: 54 1/2" x 12"
1390	Channel mounting bracket. Channels may be mounted from I-beams with use of channel mounting brackets (up to 9" flange). Order two brackets for the two and three reel channel and three brackets for the five reel channel